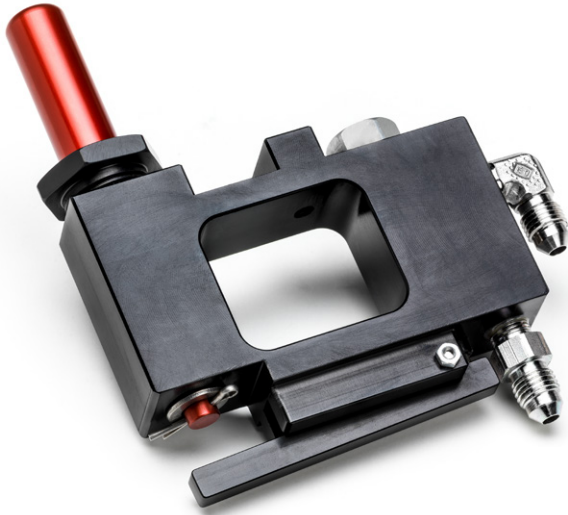
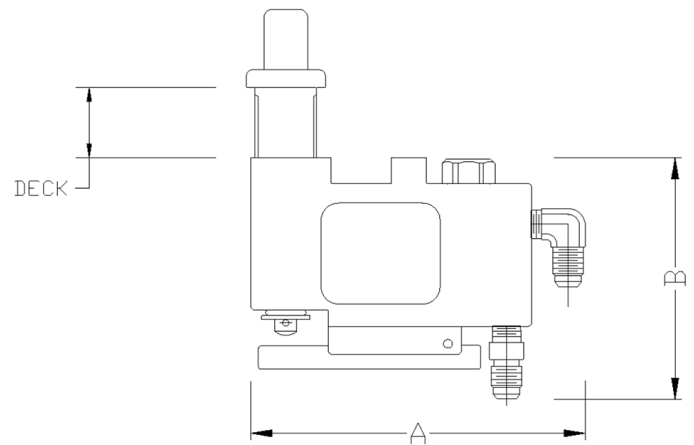


E440 Quick release valve



Easy to operate by pressing the button by hand or by feet, is used to quickly release the function on which it is mounted.

It was born as a panic button to be inserted in the vang circuit and it can be used wherever an immediate release is needed.



Technical Data

Ref.	Description	Working pressure (psi)	A (mm)	B (mm)	Deck (mm)	Weight (kg)
E440-A-01A	Quick release valve	350 (5000)	121	87	3 - 25	0.39
E440-A-01B	Quick release valve	350 (5000)	121	87	28 - 50	0.39