

E320 Manual Panel

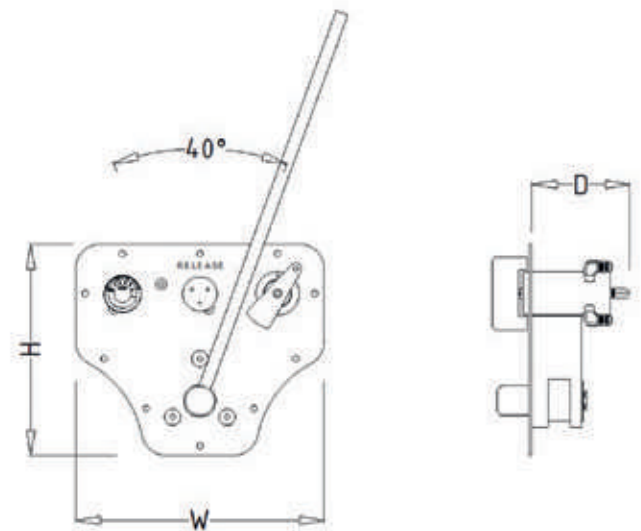


The **E320 manual panel** is the simplest way to operate your hydraulic system.

Can be configured to control a single function (SF) or up to four functions in the multi-function version (MF).

It can be mounted alone for manual use only or in combination with the CLP series electric pumps.

In the most complete systems it can be used as a manual backup.



Technical Data

Ref.	Description	H (mm)	W (mm)	D (mm)
E320-SF-01	Single function Panel	216	254	95
E320-MF-01	Up to four Function panel	216	254	115